



ScandMist 350R
Oil smoke filtration
system

**MANN +
HUMMEL**

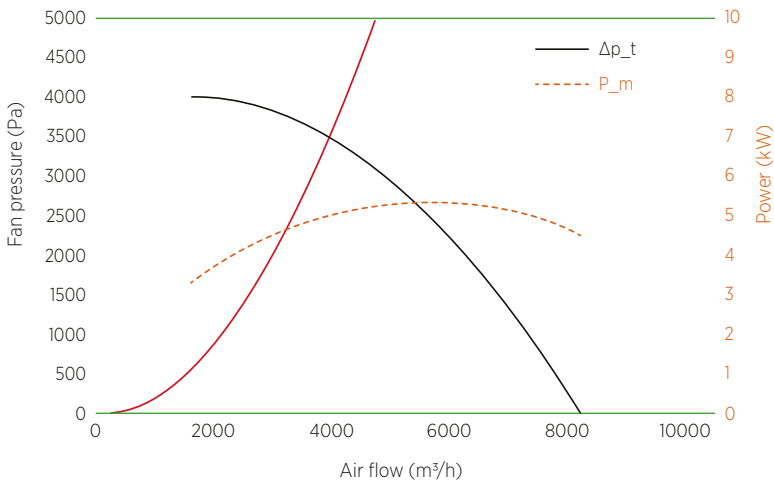
ScandMist 350R

Oil smoke filtration system

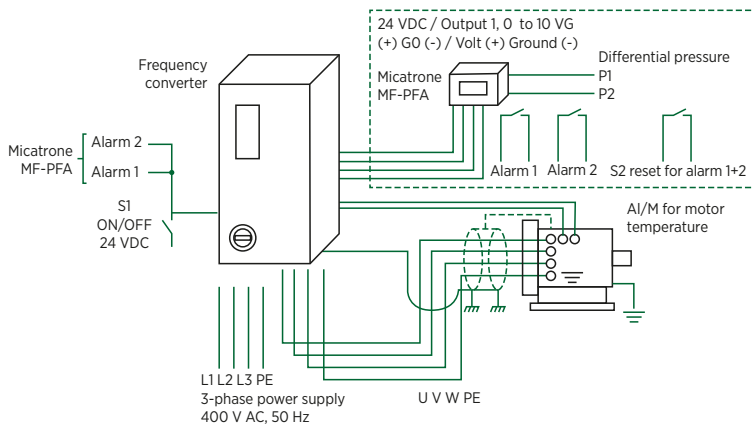
General	Product	Units	ScandMist 350R
	Application		Neat Oil
	Capacity (nominal)	m ³ /h	4000
	Part number		A1C35RF000010A
Connections	Inlet type		Jacobs
	Inlet diameter	mm	350
	Drain		2 off, 2" Threaded (BS 21) Female
	Air inlet options		Left
	Exhaust		Backwards
Filters	Filters/stage		1
	Stage 1 filter		9709006039
	Stage 2 filter		9709006040
	Stage 3 filter		800527034779
	Available external pressure drop	Pa	500
Motor	Type		IE3
	Part number		9708900062
	Quantity		1
	Mains supply		3 - 380-480 V, 50/60 Hz
	Ventilation		TEFC
	Power	kW	5,5
	Maximum current	A	10,5
	Speed	RPM	Max 2950
	Environmental protection		IP55
Physical properties	Width	mm	1227
	Height	mm	3893
	Depth	mm	1122
	Weight	kg	Clean filters: 842, Wet filters: 911
	Noise level	dB(A)	<69
	Fan		Backward bent blades
	Finish		Powder coating inside and outside
Controls	Control system		Frequency inverter FC102 + Micatrone MF-PFA
	Differential pressure gauges		3 off
Options	Oil pump		9708900065
	Level sensor		99089000187
	Prefilter demister		2500273209
	Spray		Not included
	Silencer		Not included

IE3 fan and motor

IE3 configuration takes performance to the next level with exceptionally low energy consumption.

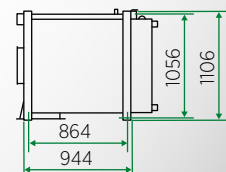
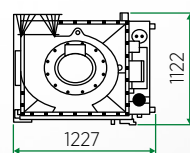
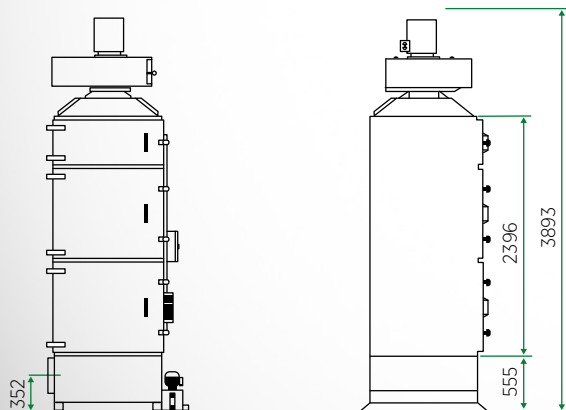


To the frequency converter				
L1	L2	L3	PE	Main power supply
ON/OFF (24 VDC)			S1 -Switch	
Volt (+)	GND (-)		0 - 10 V Output 1 signal from Micatrone MF-PFA	
From the frequency converter				
U	V	W	PE	To the motor
Al	M		Motor temperature	
G (+)	G0 (-)		24 VDC for Micatrone MF-PFA	
From the Micatrone MF-PFA				
13 from S1		14 (M)	Alarm 1, high/low/operating signal	
16 from S1		17 (M)	Alarm 2, high/low/operating signal	
11	12		S2 -Reset of Alarm 1+2	



Dimensions and weight

Units: mm



Weight	kg
Empty	578 kg
Clean filters	264 kg
Wet filters	333 kg



0419 Printed in Germany © MANN+HUMMEL